

MULTIWAVE COMPRESSION SPRINGS

多波压缩弹簧

Stock and custom sizes in stainless steel

Multiwave springs replace conventional round wire springs when space is critical; they will occupy only 1/3 to 1/2 of the compressed height space of a traditional round wire spring, while providing more deflection with the same load specifications.

Henry Multiwave springs should be used for all applications requiring tight load deflection specifications where axial space is critical.

Additional stock sizes and custom-engineered designed are available upon request.

Unique manufacturing

A single filament of round-edged, pre-tempered flat wire is used to form the springs from a continuous coil. This results in uniform diameters and wave heights.

Material

Stainless steel commercial type 17-7 PH (slightly magnetic)
 Maximum application temperature is 650°F (340°C).
 Certificate of compliance available upon request.

Finish

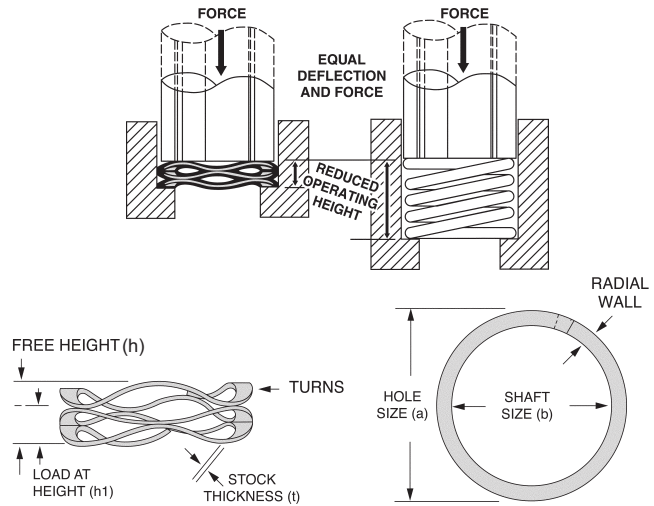
Plain finish is standard.

不锈钢材质的常备元件和定制元件

当空间有限时，用多波弹簧代替传统的圆线弹簧。多波弹簧的压缩高度是传统的圆线弹簧的1/3 到1/2，并且可以产生更大的变形量和相同的负载特性参数。

Henry 多波压缩弹簧应用于所有要求紧密载荷-变形量特性参数和轴向间隙有限的应用场合。

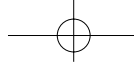
Design Comparison



经客户要求，可提供其他常备元件和定制元件。

独特的制造工艺

使用单线、圆边缘、预先回火的扁线，从而形成连环扣，这样可以得到相同的直径和波状高度。



材质

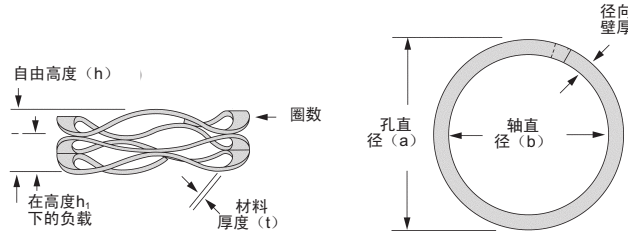
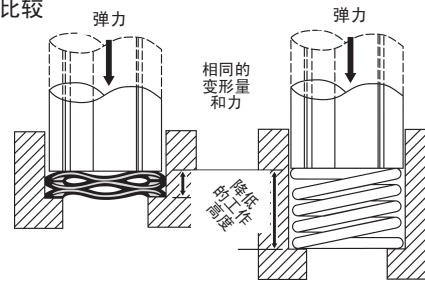
工业用不锈钢17-7 PH (略有磁性)。
最高操作温度为650° F (340°C)。
根据客户要求提供产品合格证书。

末道漆层

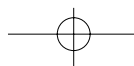
标准产品为光面。

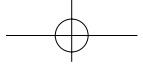
设计比较

设计比较



MULTI-WAVE COMPRESSION SPRINGS 多波压缩弹簧														
Catalog Number 编号	Fits In Hole Size 孔配合直径 (a)		Shaft (b) 轴直径 (b)		Stock Thickness (t) 材料厚度 (t)		Free Height (h) Approximate 自由高度 (h) (估算)		Load Height (h) 负载高度 (h)		Nominal Load at Height 高度下的公称载荷		Spring Rate 弹性系数	
	in	mm	in	mm	in	mm	in	mm	in	mm	lbs	N	lbs/in	N/mm
MW0375-0150-04S	0.375	9.5	0.250	6.4	0.008	0.2	0.150	3.8	0.062	1.575	4	17.8	45	7.9
MW0375-0250-04S	0.375	9.5	0.250	6.4	0.008	0.2	0.250	6.4	0.108	2.743	4	17.8	28	4.9
MW0375-0350-04S	0.375	9.5	0.250	6.4	0.008	0.2	0.350	8.9	0.150	3.810	4	17.8	20	3.5
MW0375-0450-04S	0.375	9.5	0.250	6.4	0.008	0.2	0.450	11.4	0.195	4.953	4	17.8	16	2.8
MW0375-0150-07S	0.375	9.5	0.250	6.4	0.011	0.3	0.150	3.8	0.081	2.057	7	31.1	101	17.7
MW0375-0250-07S	0.375	9.5	0.250	6.4	0.011	0.3	0.250	6.4	0.145	3.683	7	31.1	67	11.7
MW0375-0350-07S	0.375	9.5	0.250	6.4	0.011	0.3	0.350	8.9	0.202	5.131	7	31.1	47	8.2
MW0375-0450-07S	0.375	9.5	0.250	6.4	0.011	0.3	0.450	11.4	0.262	6.655	7	31.1	37	6.5
MW0437-0165-04S	0.437	11.1	0.281	7.1	0.008	0.2	0.165	4.2	0.063	1.600	4	17.8	39	6.8
MW0437-0275-04S	0.437	11.1	0.281	7.1	0.008	0.2	0.275	7.0	0.109	2.769	4	17.8	24	4.2
MW0437-0385-04S	0.437	11.1	0.281	7.1	0.008	0.2	0.385	9.8	0.160	4.064	4	17.8	18	3.2
MW0437-0165-08S	0.437	11.1	0.281	7.1	0.011	0.3	0.165	4.2	0.082	2.083	8	35.6	96	16.8
MW0437-0275-08S	0.437	11.1	0.281	7.1	0.011	0.3	0.275	7.0	0.142	3.607	8	35.6	60	10.5
MW0437-0385-08S	0.437	11.1	0.281	7.1	0.011	0.3	0.385	9.8	0.198	5.029	8	35.6	43	7.5
MW0500-0180-05S	0.500	12.7	0.312	7.9	0.008	0.2	0.180	4.6	0.062	1.575	5	22.2	42	7.4
MW0500-0300-05S	0.500	12.7	0.312	7.9	0.008	0.2	0.300	7.6	0.107	2.718	5	22.2	26	4.6
MW0500-0420-05S	0.500	12.7	0.312	7.9	0.008	0.2	0.420	10.7	0.150	3.810	5	22.2	19	3.3
MW0500-0180-10S	0.500	12.7	0.312	7.9	0.010	0.3	0.180	4.6	0.065	1.651	10	44.5	87	15.2
MW0500-0300-10S	0.500	12.7	0.312	7.9	0.010	0.3	0.300	7.6	0.114	2.896	10	44.5	54	9.5
MW0500-0420-10S	0.500	12.7	0.312	7.9	0.010	0.3	0.420	10.7	0.162	4.115	10	44.5	39	6.8
MW0562-0195-05S	0.562	14.3	0.375	9.5	0.009	0.2	0.195	5.0	0.080	2.032	5	22.2	43	7.5
MW0562-0325-05S	0.562	14.3	0.375	9.5	0.009	0.2	0.325	8.3	0.135	3.429	5	22.2	26	4.6
MW0562-0455-05S	0.562	14.3	0.375	9.5	0.009	0.2	0.455	11.6	0.190	4.826	5	22.2	19	3.3
MW0562-0195-11S	0.562	14.3	0.375	9.5	0.012	0.3	0.195	5.0	0.086	2.184	11	48.9	101	17.7
MW0562-0325-11S	0.562	14.3	0.375	9.5	0.012	0.3	0.325	8.3	0.145	3.683	11	48.9	61	10.7
MW0562-0455-11S	0.562	14.3	0.375	9.5	0.012	0.3	0.455	11.6	0.209	5.309	11	48.9	45	7.9
MW0625-0180-06S	0.625	15.9	0.450	11.4	0.010	0.3	0.180	4.6	0.055	1.397	6	26.7	48	8.4
MW0625-0300-06S	0.625	15.9	0.450	11.4	0.010	0.3	0.300	7.6	0.085	2.159	6	26.7	28	4.9
MW0625-0420-06S	0.625	15.9	0.450	11.4	0.010	0.3	0.420	10.7	0.128	3.251	6	26.7	21	3.7
MW0625-0780-06S	0.625	15.9	0.450	11.4	0.010	0.3	0.780	19.8	0.238	6.045	6	26.7	11	1.9
MW0625-0180-12S	0.625	15.9	0.450	11.4	0.010	0.3	0.180	4.6	0.104	2.642	12	53.4	158	27.7
MW0625-0300-12S	0.625	15.9	0.450	11.4	0.010	0.3	0.300	7.6	0.175	4.445	12	53.4	96	16.8
MW0625-0420-12S	0.625	15.9	0.450	11.4	0.010	0.3	0.420	10.7	0.246	6.248	12	53.4	69	12.1
MW0625-0780-12S	0.625	15.9	0.450	11.4	0.010	0.3	0.780	19.8	0.454	11.532	12	53.4	37	6.5
MW0750-0250-07S	0.750	19.1	0.550	14.0	0.008	0.2	0.250	6.4	0.142	3.607	7	31.1	65	11.4
MW0750-0417-07S	0.750	19.1	0.550	14.0	0.008	0.2	0.417	10.6	0.246	6.248	7	31.1	41	7.2
MW0750-0250-13S	0.750	19.1	0.550	14.0	0.010	0.3	0.250	6.4	0.159	4.039	13	57.8	143	25
MW0750-0417-13S	0.750	19.1	0.550	14.0	0.010	0.3	0.417	10.6	0.270	6.858	13	57.8	88	15.4
MW0750-0250-22S	0.750	19.1	0.550	14.0	0.013	0.3	0.250	6.4	0.169	4.293	22	97.9	272	47.6
MW0750-0417-22S	0.750	19.1	0.550	14.0	0.013	0.3	0.417	10.6	0.291	7.391	22	97.9	175	30.6
MW0875-0250-12S	0.875	22.2	0.600	15.2	0.010	0.3	0.250	6.4	0.117	2.972	12	53.4	90	15.8
MW0875-0417-12S	0.875	22.2	0.600	15.2	0.010	0.3	0.417	10.6	0.207	5.258	12	53.4	57	10





MULTIWAVE COMPRESSION SPRINGS
多波压缩弹簧

Catalog Number 编号	Fits In Hole Size 孔配合直径 (a)		Shaft (b) 轴直径 (b)		Stock Thickness (t) 材料厚度 (t)		Free Height (h) Approximate 自由高度 (h) (估算)		Load Height (h ₁) 负载高度 (h ₁)		Nominal Load at Height 高度下的公称载荷		Spring Rate 弹性系数	
	in	mm	in	mm	in	mm	in	mm	in	mm	lbs	N	lbs/in	N/mm
	MW0875-0250-18S	0.875	22.2	0.600	15.2	0.012	0.3	0.250	6.4	0.124	3.150	18	80.1	143
MW0875-0417-18S	0.875	22.2	0.600	15.2	0.012	0.3	0.417	10.6	0.214	5.436	18	80.1	89	15.6
MW0875-0250-25S	0.875	22.2	0.600	15.2	0.015	0.4	0.250	6.4	0.166	4.216	25	111.2	298	52.2
MW0875-0417-25S	0.875	22.2	0.600	15.2	0.015	0.4	0.417	10.6	0.278	7.061	25	111.2	180	31.5
MW0875-0583-25S	0.875	22.2	0.600	15.2	0.015	0.4	0.583	14.8	0.395	10.033	25	111.2	133	23.3
MW1000-0250-12S	1.000	25.4	0.730	18.5	0.010	0.3	0.250	6.4	0.084	2.134	12	53.4	72	12.6
MW1000-0417-12S	1.000	25.4	0.730	18.5	0.010	0.3	0.417	10.6	0.145	3.683	12	53.4	44	7.7
MW1000-0583-12S	1.000	25.4	0.730	18.5	0.010	0.3	0.583	14.8	0.201	5.105	12	53.4	31	5.4
MW1000-0250-18S	1.000	25.4	0.730	18.5	0.012	0.3	0.250	6.4	0.087	2.210	18	80.1	110	19.3
MW1000-0417-18S	1.000	25.4	0.730	18.5	0.012	0.3	0.417	10.6	0.148	3.759	18	80.1	67	11.7
MW1000-0583-18S	1.000	25.4	0.730	18.5	0.012	0.3	0.583	14.8	0.212	5.385	18	80.1	49	8.6
MW1000-0250-25S	1.000	25.4	0.730	18.5	0.015	0.4	0.250	6.4	0.131	3.327	25	111.2	210	36.8
MW1000-0417-25S	1.000	25.4	0.730	18.5	0.015	0.4	0.417	10.6	0.227	5.766	25	111.2	132	23.1
MW1000-0583-25S	1.000	25.4	0.730	18.5	0.015	0.4	0.583	14.8	0.319	8.103	25	111.2	95	16.6
MW1125-0300-12S	1.125	28.6	0.850	21.6	0.012	0.3	0.300	7.6	0.146	3.71	12	53.4	78	13.7
MW1125-0500-12S	1.125	28.6	0.850	21.6	0.012	0.3	0.500	12.7	0.250	6.35	12	53.4	48	8.4
MW1125-0700-12S	1.125	28.6	0.850	21.6	0.012	0.3	0.700	17.8	0.344	8.74	12	53.4	34	6.0
MW1125-0300-20S	1.125	28.6	0.850	21.6	0.015	0.4	0.300	7.6	0.160	4.06	20	89.0	143	25.0
MW1125-0500-20S	1.125	28.6	0.850	21.6	0.015	0.4	0.500	12.7	0.270	6.86	20	89.0	87	15.2
MW1125-0700-20S	1.125	28.6	0.850	21.6	0.015	0.4	0.700	17.8	0.381	9.68	20	89.0	63	11.0
MW1125-0300-30S	1.125	28.6	0.850	21.6	0.018	0.5	0.300	7.6	0.178	4.52	30	133.4	246	43.1
MW1125-0500-30S	1.125	28.6	0.850	21.6	0.018	0.5	0.500	12.7	0.303	7.70	30	133.4	152	26.6
MW1125-0700-30S	1.125	28.6	0.850	21.6	0.018	0.5	0.700	17.8	0.421	10.69	30	133.4	108	18.9
MW1250-0300-12S	1.250	31.8	1.000	25.4	0.012	0.3	0.300	7.6	0.084	2.13	12	53.4	56	9.8
MW1250-0500-12S	1.250	31.8	1.000	25.4	0.012	0.3	0.500	12.7	0.149	3.78	12	53.4	34	6.0
MW1250-0700-12S	1.250	31.8	1.000	25.4	0.012	0.3	0.700	17.8	0.207	5.26	12	53.4	24	4.2
MW1250-0300-20S	1.250	31.8	1.000	25.4	0.015	0.4	0.300	7.6	0.124	3.15	20	89.0	114	20.0
MW1250-0500-20S	1.250	31.8	1.000	25.4	0.015	0.4	0.500	12.7	0.215	5.46	20	89.0	70	12.3
MW1250-0700-20S	1.250	31.8	1.000	25.4	0.015	0.4	0.700	17.8	0.303	7.70	20	89.0	50	8.8
MW1250-0300-30S	1.250	31.8	1.000	25.4	0.019	0.5	0.300	7.6	0.158	4.01	30	133.4	210	36.8
MW1250-0500-30S	1.250	31.8	1.000	25.4	0.019	0.5	0.500	12.7	0.272	6.91	30	133.4	132	23.1
MW1250-0700-30S	1.250	31.8	1.000	25.4	0.019	0.5	0.700	17.8	0.384	9.75	30	133.4	95	16.6
MW1375-0300-15S	1.375	34.9	1.030	26.2	0.012	0.3	0.300	7.6	0.075	1.91	15	66.7	67	11.7
MW1375-0500-15S	1.375	34.9	1.030	26.2	0.012	0.3	0.500	12.7	0.129	3.28	15	66.7	40	7.0
MW1375-0700-15S	1.375	34.9	1.030	26.2	0.012	0.3	0.700	17.8	0.179	4.55	15	66.7	29	5.1
MW1375-0300-25S	1.375	34.9	1.030	26.2	0.016	0.4	0.300	7.6	0.142	3.61	25	111.2	158	27.7
MW1375-0500-25S	1.375	34.9	1.030	26.2	0.016	0.4	0.500	12.7	0.240	6.10	25	111.2	96	16.8
MW1375-0700-25S	1.375	34.9	1.030	26.2	0.016	0.4	0.700	17.8	0.340	8.64	25	111.2	69	12.1
MW1375-0300-35S	1.375	34.9	1.030	26.2	0.018	0.5	0.300	7.6	0.149	3.78	35	155.7	232	40.6
MW1375-0500-35S	1.375	34.9	1.030	26.2	0.018	0.5	0.500	12.7	0.247	6.27	35	155.7	138	24.2
MW1375-0700-35S	1.375	34.9	1.030	26.2	0.018	0.5	0.700	17.8	0.343	8.71	35	155.7	98	17.2
MW1500-0300-20S	1.500	38.1	1.140	29.0	0.016	0.4	0.300	7.6	0.129	3.28	20	89.0	117	20.5
MW1500-0500-20S	1.500	38.1	1.140	29.0	0.016	0.4	0.500	12.7	0.213	5.41	20	89.0	70	12.3
MW1500-0700-20S	1.500	38.1	1.140	29.0	0.016	0.4	0.700	17.8	0.301	7.65	20	89.0	50	8.8
MW1500-0300-35S	1.500	38.1	1.140	29.0	0.018	0.5	0.300	7.6	0.122	3.10	35	155.7	197	34.5
MW1500-0500-35S	1.500	38.1	1.140	29.0	0.018	0.5	0.500	12.7	0.206	5.23	35	155.7	119	20.8
MW1500-0700-35S	1.500	38.1	1.140	29.0	0.018	0.5	0.700	17.8	0.291	7.39	35	155.7	86	15.1
MW1500-0300-60S	1.500	38.1	1.140	29.0	0.018	0.5	0.300	7.6	0.166	4.22	60	266.9	448	78.4
MW1500-0500-60S	1.500	38.1	1.140	29.0	0.018	0.5	0.500	12.7	0.278	7.06	60	266.9	270	47.3
MW1500-0700-60S	1.500	38.1	1.140	29.0	0.018	0.5	0.700	17.8	0.390	9.91	60	266.9	194	34.0
MW1750-0375-25S	1.750	44.5	1.340	34.0	0.018	0.5	0.375	9.5	0.155	3.94	25	111.2	114	20.0
MW1750-0625-25S	1.750	44.5	1.340	34.0	0.018	0.5	0.625	15.9	0.265	6.73	25	111.2	69	12.1
MW1750-0870-25S	1.750	44.5	1.340	34.0	0.018	0.5	0.870	22.1	0.367	9.32	25	111.2	50	8.8
MW1750-0375-50S	1.750	44.5	1.340	34.0	0.018	0.5	0.375	9.5	0.188	4.78	50	222.4	267	46.7
MW1750-0625-50S	1.750	44.5	1.340	34.0	0.018	0.5	0.625	15.9	0.315	8.00	50	222.4	161	28.2
MW1750-0870-50S	1.750	44.5	1.340	34.0	0.018	0.5	0.870	22.1	0.452	11.48	50	222.4	120	21.0
MW1750-0375-90S	1.750	44.5	1.340	34.0	0.024	0.6	0.375	9.5	0.232	5.89	90	400.3	629	110.1
MW1750-0625-90S	1.750	44.5	1.340	34.0	0.024	0.6	0.625	15.9	0.409	10.39	90	400.3	417	73.0
MW1750-0870-90S	1.750	44.5	1.340	34.0	0.024	0.6	0.870	22.1	0.577	14.66	90	400.3	307	53.7
MW2000-0375-25S	2.000	50.8	1.600	40.6	0.018	0.5	0.375	9.5	0.094	2.39	25	111.2	89	15.6
MW2000-0625-25S	2.000	50.8	1.600	40.6	0.018	0.5	0.625	15.9	0.158	4.01	25	111.2	54	9.5
MW2000-0870-25S	2.000	50.8	1.600	40.6	0.018	0.5	0.870	22.1	0.217	5.51	25	111.2	38	6.7
MW2000-0375-50S	2.000	50.8	1.600	40.6	0.018	0.5	0.375	9.5	0.140	3.56	50	222.4	213	37.3
MW2000-0625-50S	2.000	50.8	1.600	40.6	0.018	0.5	0.625	15.9	0.245	6.22	50	222.4	132	23.1
MW2000-0870-50S	2.000	50.8	1.600	40.6	0.018	0.5	0.870	22.1	0.345	8.76	50	222.4	95	16.6
MW2000-0375-90S	2.000	50.8	1.600	40.6	0.024	0.6	0.375	9.5	0.197	5.00	90	400.3	506	88.6
MW2000-0625-90S	2.000	50.8	1.600	40.6	0.024	0.6	0.625	15.9	0.332	8.43	90	400.3	307	53.7
MW2000-0870-90S	2.000	50.8	1.600	40.6	0.024	0.6	0.870	22.1	0.465	11.81	90	400.3	222	38.9